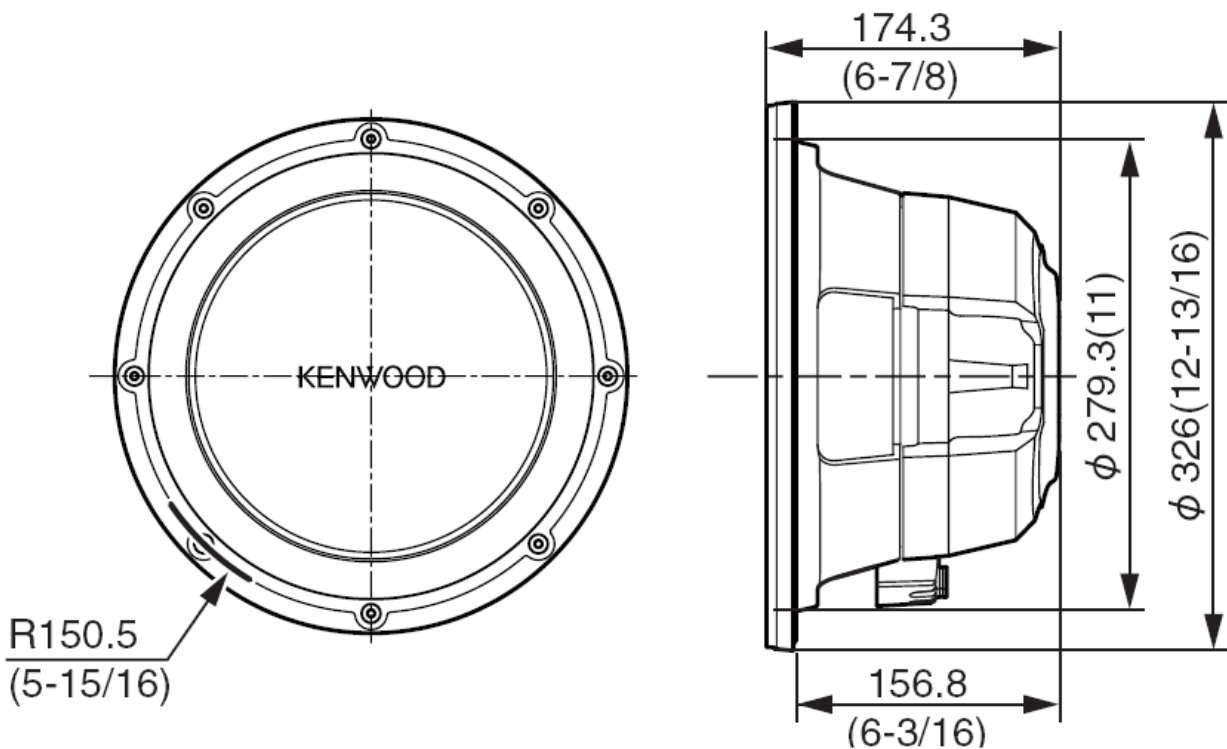


KFC-W3012DVC

Specifications

Subwoofer	300 mm (12") PP Cone Type
Nominal Impedance	4 Ω + 4 Ω
Maximum Peak Power	700 W + 700 W
Maximum RMS Power	200 W + 200 W
Sensitivity	85 dB/W at 1 m
Free Air Resonance	28 Hz
Frequency Response	35-300 Hz
Net Weight	6,160 g

Dimensions

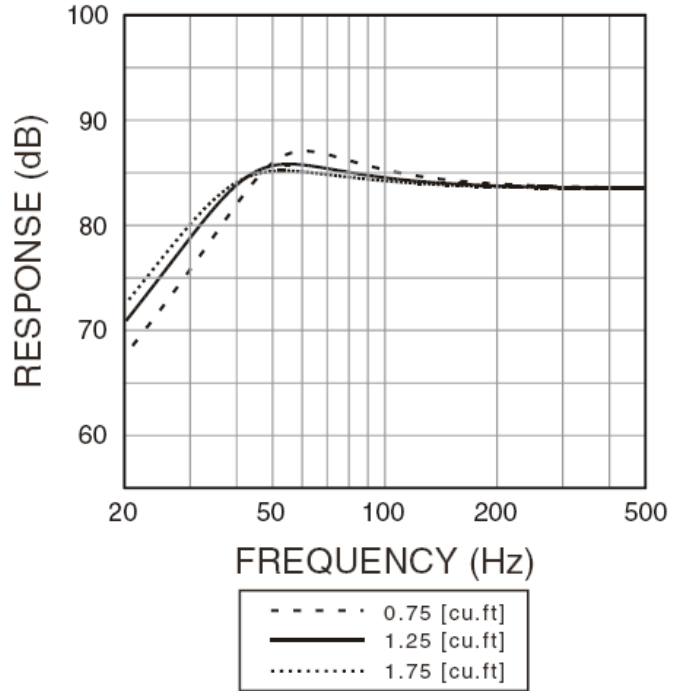
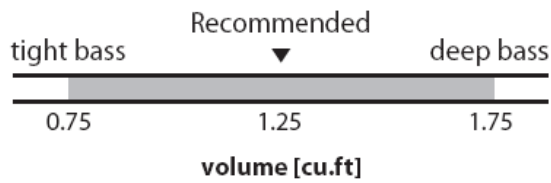
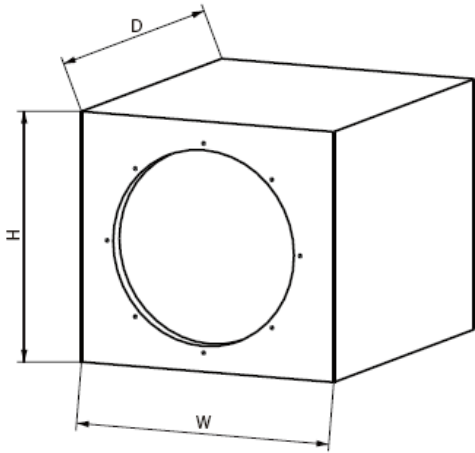


Technical specifications

	SYMBOL	UNIT	KFC-W3012DVC
Nominal Impedance	Z	Ω	4 + 4
DC Resistance	Revc	Ω	3.6 + 3.6
Voice Coil Inductance	Levc	mH	1.41
Piston Area	Sd	sq.m	0.052
Force Factor	BL	T·m	9.0
Volume Acoustic Compliance	Vas	liter	58.9
		cu.ft	2.081
Moving Mass	Mms	g	207.4
Resonance Frequency	Fs	Hz	28
Mechanical Q Factor	Qms		12.696
Electrical Q Factor	Qes		0.811
Total Q Factor	Qts		0.763
Peak Power		W	700 + 700
Peak Excursion	Xmax	mm	13.8
Displacement		cc	4448
		cu.ft	0.157
Mounting Depth		mm (in.)	156.8 (6-3/16)
Weight of Magnet		g (oz)	1780 (62.7)
Voice Coil Diameter		mm (in.)	65 (2-9/16)

Recommended Enclosures

SEALED

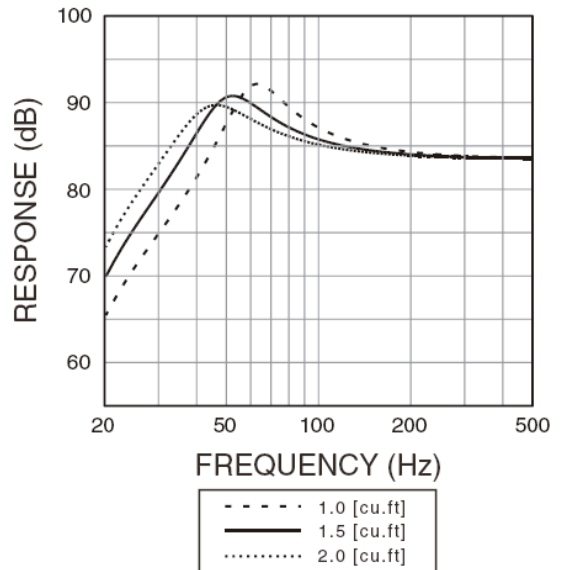
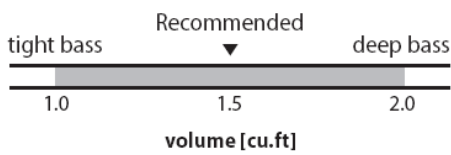
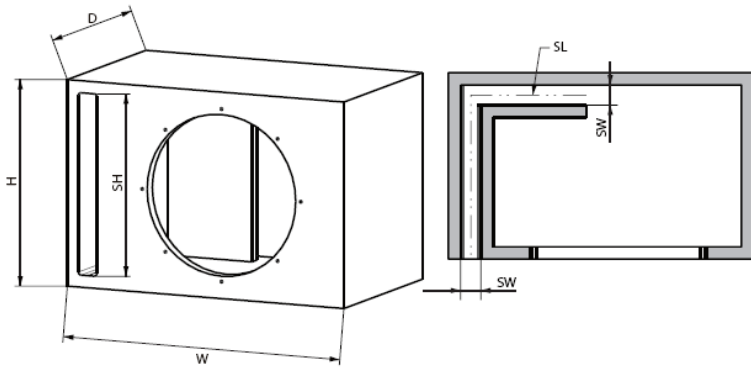


* W, H, D : External Dimensions

Type	Inner Volume	W	H	D	Mounting Hole	Displacement
SEALED	1.25 cft (35.4 Liter)	375 mm (14-3/4")	370 mm (14-9/16")	355 mm (14")	282 mm (11-1/8")	0.157 cu.ft

Use 19mm (3/4 inch) thick Medium Density Fiberboard (MDF) or High Density Particleboard.

PORTED



* W, H, D : External dimensions

Type	Inner Volume	W	H	D	Mounting Hole	SW	SH	SL	Displacement
PORTED	1.5 cft (42.5 Liter)	507 mm (19-15/16")	360 mm (14-3/16")	320 mm (12-5/8")	282 mm (11-1/8")	35 mm (1-3/8")	322 mm (12-11/16")	500 mm (18-7/8")	0.157 cu.ft

Use 19mm (3/4 inch) thick Medium Density Fiberboard (MDF) or High Density Particleboard.